

Y SERIES CHAIN CONVEYOR

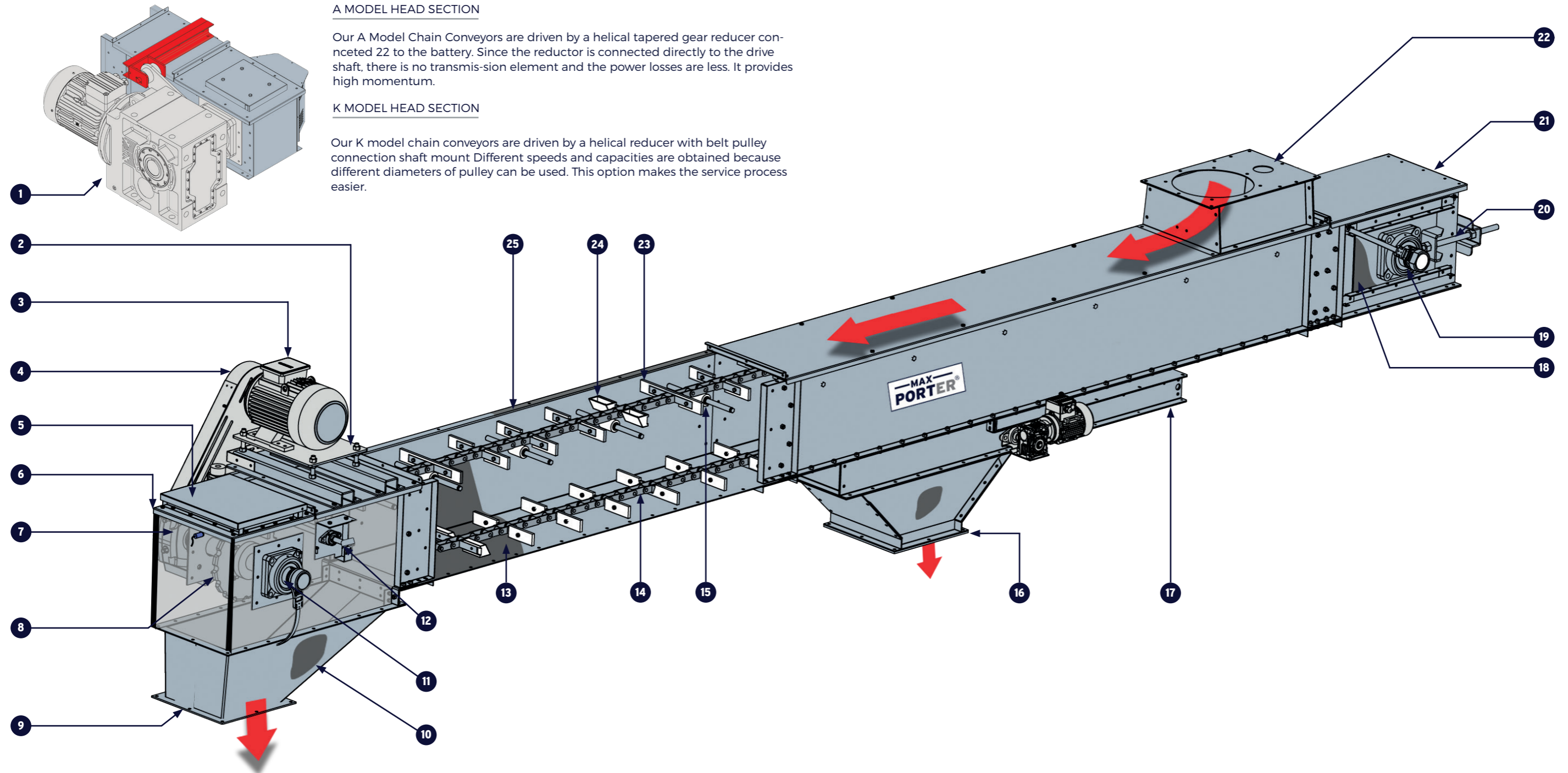
Maxporter Y series chain conveyors are durable, long-lasting and high quality. It is manufactured from galvanized steel. In this way, it is long-lasting against environmental factors. Depending on the capacity and model, chains operating at different loads are used for the conveyors. Anti-static pallet, return chain bucket and dust sealing cord are applied on our conveyors. It is suitable for carrying high capacity grain with low energy. Since our conveyors are modular and standard structure, spare parts supply and technical service are easy. Our Maxporter chain conveyors are environmentally sensitive and comply with occupational health and safety regulations. It has CE certificate.

A MODEL HEAD SECTION

Our A Model Chain Conveyors are driven by a helical tapered gear reducer connected to the battery. Since the reducer is connected directly to the drive shaft, there is no transmission element and the power losses are less. It provides high momentum.

K MODEL HEAD SECTION

Our K model chain conveyors are driven by a helical reducer with belt pulley connection shaft mount. Different speeds and capacities are obtained because different diameters of pulley can be used. This option makes the service process easier.

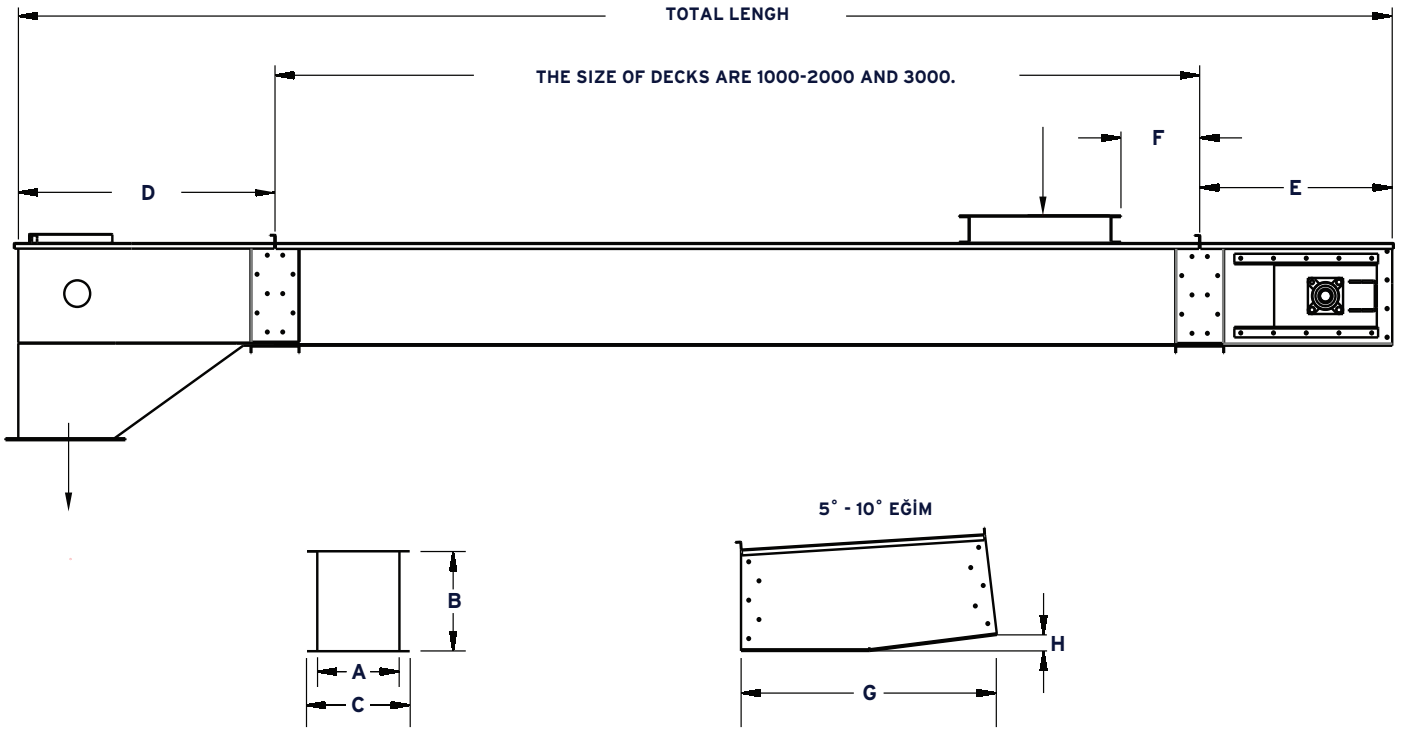


- 1 A Model Head Section (Optional)
- 2 Motor Stand
- 3 Electrical Motor 380 V 50 Hz IP 55
- 4 Belt-Pulley Cover
- 5 Overflow Cover
- 6 K Model Section Head
- 7 Reducer

- 8 Sprocket Wheel
- 9 Outlet Hopper
- 10 Polyethylene Coating - UHWM (Optional)
- 11 UCF Type Bearing
- 12 Chain Break Sensor
- 13 Polyethylene Coating / Hardox Coating (Optional)
- 14 Chain

- 15 Polyethylene Roll / Steel Roll / Guiding
- 16 Intermediate Discharge Hopper
- 17 Electric Gate
- 18 Dustproof Felt
- 19 Rotation Sensor (Optional)
- 20 Stretching Mechanism
- 21 Boot section

- 22 Inlet Hopper
- 23 Chain Paddle
- 24 Chain Bucket
- 25 Dust Sealing Wick



Y SERIES CHAIN CONVEYOR CAPACITY CHART

MODEL	CAPACITY (m ³ /s)	CAPACITY (t/h)	CHAIN SPEED (m/sn)	A (mm)	B (mm)	C (mm)	D (mm)	E (mm)	F (mm)	G (mm)	H (mm) -5°	H (mm) -10°
ZKY - 2024	35	25	0,45	200	240	280	1000	750	300			
ZKY - 2624	70	50	0,65	260	240	340	1000	750	300			
ZKY - 2632	140	100	0,80	260	320	340	1000	750	300	1000	45	65
ZKY - 3238	200	150	0,70	320	380	400	1000	750	300			
ZKY - 3643	265	200	0,75	360	430	440	1000	750	300			
ZKY - 4046	330	250	0,75	400	460	480	1000	1000	300			
ZKY - 5358	400	300	0,55	530	580	610	1500	1500	300			
ZKY - 6062	525	400	0,65	600	620	680	1500	1500	300			
ZKY - 7072	655	500	0,65	700	720	780	1500	1500	300	1500	50	80
ZKY - 7072	785	600	0,70	800	720	880	1500	1500	300			
ZKY - 8587	1045	700	0,70	850	870	930	1500	1500	300			
ZKY - 9090	1305	1000	0,70	900	900	980	1500	1500	300			

* Measurement are in mm.
 * In the capacity calculation, the product density was taken as 769 kg/m³.
 * The values in the table are approximate.
 * Maxporter has the right to change specifications.

CC-2001